

Features

- Includes faceplate with handle
- A single handle controls both on/off activation and temperature setting
- Integrated push-button diverter
- Complements Composed faucets and accessories
- Push-button diverter
- Valve features an adjustable high-temperature limit stop to control maximum temperature to eliminate scalding
- Coordinates with faucets and accessories in the Composed collection
- Rite-Temp™ pressure-balancing technology maintains water temperature within +/- 3°F

Material

- Premium material construction with metal handle ensures reliability and durability
- KOHLER finishes resist corrosion and tarnishing
- Includes faceplate with single lever handle that controls both on/off activation and temperature setting

Installation

- Trim only; requires valve to complete installation (sold separately)
- Trim only; requires K-11748-K or K-11748-KS Rite-Temp pressure-balancing valve (sold separately)



ADA

Codes/Standards




ASME A112.18.1/CSA B125.1
ADA
ICC/ANSI A117.1

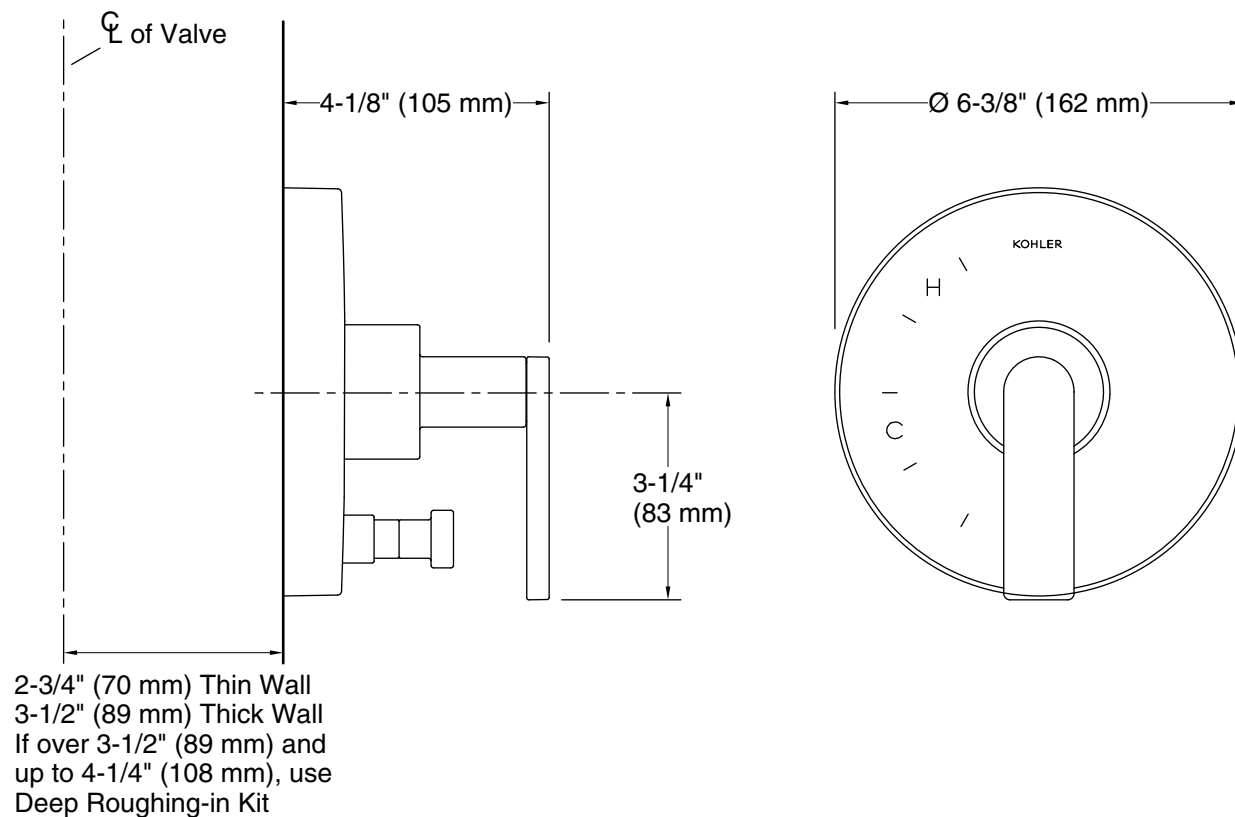
KOHLER® Faucet Lifetime Limited Warranty

See website for detailed warranty information.

Available Colors/Finishes

Color tiles intended for reference only.

Color	Code	Description
	CP	Polished Chrome
	BL	Matte Black
	2MB	Vibrant™ Brushed Moderne Brass
	TT	Vibrant Titanium



Technical Information

All product dimensions are nominal.

Notes

Install this product according to the installation guide.

ADA compliant when installed to the specific requirements of these regulations.